



# Airspray Low Pressure Filter

**User Manual 582216110**

2022-06-09

Index A

Translation from the original instructions

---

## **SAMES KREMLIN SAS**



13 Chemin de Malacher  
38240 Meylan



[www.sames-kremlin.com](http://www.sames-kremlin.com)



33 (0)4 76 41 60 60

Any communication or reproduction of this document, in any form whatsoever, and any exploitation or communication of its contents is prohibited, except with the express written consent of **SAMES KREMLIN**.

The descriptions and features contained in this document are subject to change without notice.

© **SAMES KREMLIN** 2022

# Contents

<b>CONTENTS.....</b>	<b>3</b>
<b>1 SAFETY INSTRUCTIONS .....</b>	<b>9</b>
1.1 PERSONAL SAFETY.....	9
1.2 INTEGRITY OF THE MATERIAL .....	11
<b>2 PRESENTATION OF THE MATERIAL.....</b>	<b>15</b>
2.1 COMPLETE SYSTEM .....	15
2.1.1 <i>Visual generic presentation</i> .....	15
Context of use.....	15
Non-intended use .....	16
2.2 DESCRIPTION OF THE MAIN ELEMENTS OF THE SYSTEM .....	17
Airspray Low Pressure Filter .....	17
<b>3 IDENTIFICATION OF THE EQUIPMENT .....</b>	<b>18</b>
3.1 EQUIPMENT PLANS .....	18
3.1.1 <i>Filter</i> .....	18
3.2 COMPOSITION .....	18
<b>4 TECHNICAL FEATURES AND PERFORMANCES .....</b>	<b>19</b>
4.1 TECHNICAL FEATURES .....	19
<b>5 INSTALLATION .....</b>	<b>20</b>
5.1 TRANSPORT .....	20
5.2 CHECK THE SCOPE OF DELIVERY.....	20
5.3 RECOMMENDATION MATERIALS.....	21
5.4 STORAGE .....	21
5.5 HANDLING .....	21
<b>6 START UP .....</b>	<b>22</b>
6.1 COMMISSIONING INSTRUCTIONS.....	22
6.2 USER SETTINGS .....	23
<b>7 DIAGNOSTIC HELP / TROUBLESHOOTING GUIDE.....</b>	<b>25</b>
7.1 POSSIBLE SYMPTOMS OF FAULTS / CAUSES OF FAULTS / REMEDIES TO APPLY - FAST OPERATION .....	25
<b>8 MAINTENANCE .....</b>	<b>26</b>
8.1 QUALIFICATION LEVELS - FORESEEABLE INTERVENTIONS .....	26
8.2 SAFETY INSTRUCTIONS - PREVENTIVE MAINTENANCE.....	26
8.3 MAINTENANCE PERIODS.....	27
8.4 CLEANING .....	27
8.5 DISASSEMBLY / REASSEMBLY .....	28
Preliminary operations .....	28
8.5.1 <i>Replacing the screen (3)</i> .....	28
<b>9 SPARE PARTS .....</b>	<b>29</b>
9.1 WEAR PART NUMBERS.....	30
9.2 OPTIONS.....	31

**10 APPENDICES..... 32**

10.1 APPENDIX A PREVENTIVE MAINTENANCE PLAN ..... 32

---

---

**Evolution table of the document**

Recording revisions				
Editor	Object	Revision	Date	Modified by
F.SEGUIN	Airspray Low Pressure Filter	A	Week 06/22	N. PLANTARD

---

Dear customer, you have just purchased your new equipment and we thank you for it.

We have taken the utmost care, from design to manufacture, so that this equipment gives you complete satisfaction.

For good use and optimal availability, we invite you to read this manual carefully before using your equipment.

---

---

## Warranty

**SAMES KREMLIN** grants a contractual warranty for a period of twelve (12) months from the date of availability to the customer provided that the conditions of use indicated in this technical manual are complied with.

In order to be implemented, the warranty claim must define precisely, in writing the malfunction in question, must be accompanied by the defective material and/or component, and must be informed of the conditions of acquisition by the customer of the material from

**SAMES KREMLIN.**

**SAMES KREMLIN** will only accept or refuse the implementation of the warranty after analysis of the 'defective' material. The warranty granted by **SAMES KREMLIN** is limited to the replacement of the Material in its entirety or to the partial replacement of the defective component.

**SAMES KREMLIN** will only bear the cost of the parts necessary to replace the defective material.

No guarantee will be granted by **SAMES KREMLIN**:

- For defects and deteriorations resulting from abnormal conditions of storage and/or conservation at the customer's premises or for maintenance or use of the equipment not conforming to the rules of art or not respecting the prescriptions of the present technical manual given to the customer by **SAMES KREMLIN**,
  - For defects and damage resulting from replacement parts not approved by **SAMES KREMLIN** or which have been modified, by the customer or in the event that the replacement of a component of the equipment by the customer would damage other elements,
  - If the equipment is dismantled without prior agreement from the supplier's technical support,
  - For all damages resulting from negligence or lack of supervision on behalf of the customer,
  - In the event of normal wear and tear of the equipment and/or its components or in the event of deterioration or accident resulting from faulty and/or abnormal use thereof.
-

**Meaning of the pictograms**

 Danger, general signal (user)	 Danger: high pressure	 Explosive materials	 Danger: Electricity
 Toxic substances	 Corrosive materials	 Harmful or irritating materials	 Danger: pinching, crushing
 Risk of product emanation	 Danger: hot parts or surfaces	 Danger: automatic start, moving parts	 Danger: flammability hazard
 General obligation	 Grounding	 Refer to the manual/instruction leaflet	 Gloves must be worn
 Protective helmet	 Hearing protection	 Mandatory respiratory protection	 Safety shoes
 Protective clothing	 Protective visor	 Wearing of glasses is mandatory	 Material recycling

---

### Personnel qualifications



Tasks on the filter must only be performed in accordance with existing rules and statutory regulations, by personnel who have been instructed and are qualified in this regard, in compliance with due diligence obligations.

The following requirements must be fulfilled:

- ✓ Personnel must have special skills and experience in the respective technical area. This particularly applies for maintenance and repair tasks on mechanical and pneumatic fixtures of the pump.
- ✓ Personnel must have knowledge of applicable standards, directives, accident prevention regulations and operating conditions.
- ✓ Personnel must have been authorised by the person responsible for safety to perform the respectively required tasks.
- ✓ Personnel must be capable of recognising and avoiding possible dangers.

The required personnel qualifications are subject to different statutory regulations depending on the implementation site. The owner must ensure compliance with the applicable laws.

---



---

# 1 Safety instructions

## 1.1 Personal safety

---

### Overview



The equipment at your disposal is for professional use only. It must be used only for the purpose for which it was intended.

Read all operating instructions and device labels carefully before putting the equipment into service.

Personnel using this equipment must have been trained in its use.

The workshop manager must ensure that the operators have fully understood all the instructions and safety rules of this equipment and other elements and accessories of the installation.

Misuse or operation can cause serious injury.

Do not modify or transform the equipment. Parts and accessories must only be supplied or approved by **SAMES KREMLIN**.

The equipment must be checked periodically. Defective or worn parts must be replaced.

Never exceed the maximum working pressures of the equipment components.

Always respect the laws in force regarding security, fire, electricity of the destination country of the equipment.

Only use fluids or solvents that are compatible with the parts in contact with the material (see material manufacturer's technical data sheet).

---

### Security devices



Attention

Guards (motor cover, coupling guard, housings, ...) are set up for safe use of the equipment.

The manufacturer cannot be held responsible for any bodily injury as well as failures and / or damage to the equipment resulting from the destruction, hiding or total or partial removal of the guards.

Never exceed the maximum working pressures of the equipment components.

---

### Pressure hazards



Safety requires that a **pressure relief air** shut-off valve be installed in the air stage supply circuit to release trapped air when the supply is shut off.

Also, a **fluid drain valve** must be installed in the fluid system so that the fluid can be drained (after shutting off motor air and decompressing it) before any intervention on the equipment. These valves must remain closed for air and open for the product during the intervention.

---

### Toxic chemicals hazards



Toxic materials or vapors can cause serious injury through contact with the body, in the eyes, under the skin, but also by ingestion or inhalation. It is imperative :

- ✓ to know the type of material used and the dangers it represents,
- ✓ to store the materials to be used in appropriate areas,
- ✓ to contain the material used during the application in a container designed for this purpose,
- ✓ to dispose the materials in accordance with the legislation of the country where the equipment is used,
- ✓ to wear clothing and protection designed for this purpose,
- ✓ to wear goggles, hearing, gloves, shoes, coveralls and respiratory masks.



#### ATTENTION

**The use of halogenated hydrocarbon solvents and products containing these solvents in the presence of aluminum or zinc is prohibited.**

**Failure to follow these instructions could result in an explosion hazard causing serious injury or death.**

---

---

## 1.2 Integrity of the material

---

### Filter



- ✓ Instructions on pump instruction manuals.
- ✓ Before starting up or using the filter, read carefully the PRESSURE RELIEF PROCEDURE.
- ✓ Check that the pressure relief and drain air valves are working properly.
- ✓ Use only genuine **SAMES KREMLIN** accessories and spare parts designed to withstand the operating pressure of the pump.

---

### Filter feeding phase / Pump paint phase and pressure gun / Flushing the filter



- ✓ Mandatory wearing of PPE (glasses + gloves + safety shoes) pump and pressure gun during the painting phase.
  - ✓ Do not look at the gun nozzle.
  - ✓ The maximum pressures engraved on the equipment must be strictly respected.
  - ✓ Rinse at a maximum of 1 bar on the air equipment pressure gauge (pressure varies according to the length of the hoses).
-

---

## Hoses

Recommendations for hoses.

- ✓ Keep hoses away from traffic areas, moving parts and hot areas.
- ✓ Never subject hoses to temperatures above 60 ° C / 140° F or below 0 ° C / 32° F.
- ✓ Do not use hoses to pull or move equipment.
- ✓ Tighten all connections as well as the hoses and junction fittings before commissioning the equipment.
- ✓ Check hoses regularly and replace them if damaged.
- ✓ Never exceed the maximum working pressure stated on the hose (MWP).
- ✓ For the assembly of the hoses and the gun: the wearing of PPE is mandatory.
- ✓ Tighten to the stop (Hoses + Gun).

---

## Normal stop

To make a normal stop:

- ✓ Use the air regulator to gradually decompress the pump.
-

---

**Materials used**

Given the diversity of the materials implemented by the users and the impossibility of listing all the characteristics of the chemical substances, their interactions and their evolution over time

**SAMES KREMLIN** cannot be held responsible:

- ✓ Poor compatibility of materials in contact,
- ✓ Inherent risks to personnel and the environment,
- ✓ Wear and tear, malfunctions, material or equipment malfunctions, as well as the quality of the finished.

The user shall identify and prevent from potential dangers inherent to the materials used, such as:

- ✓ Toxic vapors.
- ✓ Fire.
- ✓ Explosions.

It will determine the risks of immediate reactions or reactions due to repeated exposures to personnel.

**SAMES KREMLIN** declines any responsibility, in case of:

- ✓ Physical or mental injury,
  - ✓ Direct or indirect material damage due to the use of chemical substances.
-

---

## Environment



To avoid risks due to static electricity, the equipment and its components must be grounded.

- ✓ Have the ground continuity checked by a qualified electrician. If ground continuity is not assured, check terminal, wire and grounding point. Never operate the equipment without first resolving this problem.
- ✓ The gun must be 'grounded' through the air hose or fluid hose.
- ✓ The equipments to be painted must also be "grounded" by means of clamps fitted with cables or, if suspended, by means of hooks which must be kept clean permanently.

**Note: all objects in the work area must also be grounded.**

- ✓ **Do not store** more flammable materials than necessary inside the work area.
- ✓ These materials must be stored in approved, grounded containers.
- ✓ Use only grounded **metal pails** for flushing solvents.
- ✓ **Cardboard and papers are to be banned.** They are very bad conductors, even insulators.

---

## Material markings



Each appliance is fitted with a nameplate bearing the name of the manufacturer, the appliance reference number, important information for the use of the appliance (pressure, power, etc.) and sometimes the pictogram shown opposite.

The equipment is designed and manufactured with high quality materials and components that can be recycled and reused.

The 2012/19/EU European Directive applies to all devices marked with this logo (crossed-out waste bin). Find out more about the collection systems available for electrical and electronic appliances.

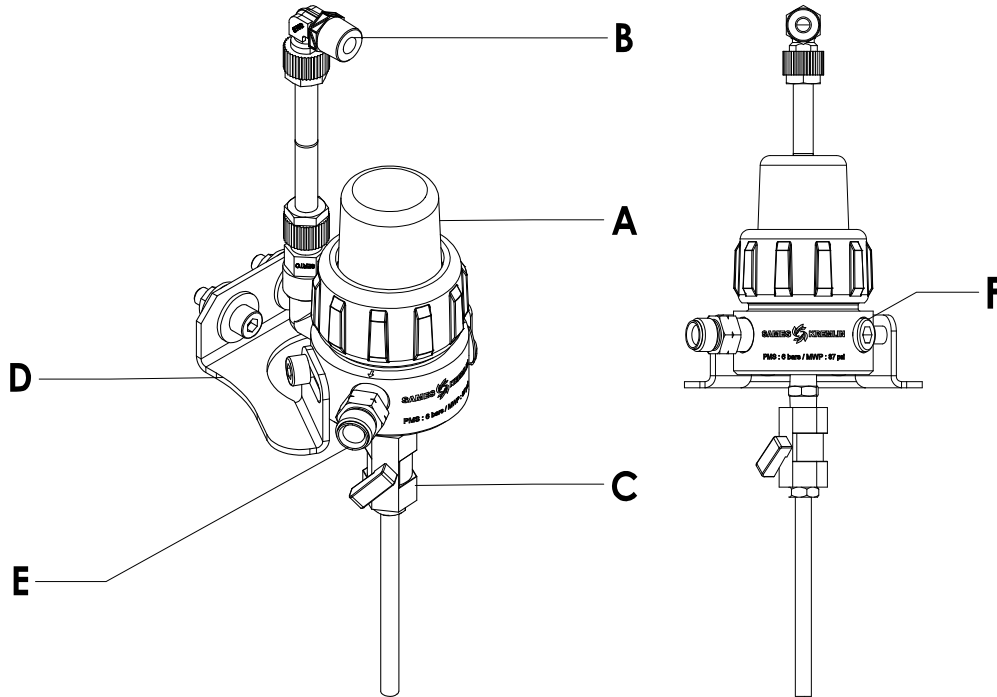
Follow the rules in your locality and **do not dispose of your old appliances with your household waste.** Proper disposal of this old appliance will help prevent negative effects on the environment and human health.

---

## 2 Presentation of the material

### 2.1 Complete system

#### 2.1.1 Visual generic presentation



Ind	Description
A	Airspray low pressure filter
B	Pump fitting
C	Drain valve
D	Wall mount
E	Spray Gun Fitting
F	Plug

### Context of use

The filter allows a perfect filtration of the product to avoid the clogging of the gun nozzles.

The filter has been designed to be perfectly flushable.

## **Non-intended use**

A use other than the use described in the paragraph, "Intended use" and in this operating manual, and any use that extends beyond the specified intended use, shall apply as non-intended use. The manufacturer shall not be liable damage resulting from non-intended use. This risk is borne solely by the user.

The following items describe improper or prohibited use:

- ✓ The conveyance of fluid does not meet the product specification.
  - ✓ Modification of the filter in any form is prohibited.
  - ✓ The filter is operated while damaged.
  - ✓ Use, maintenance, repair of the system or commissioning of the controller by unauthorized, untrained personnel or by a private user.
  - ✓ Filter operation without earthing.
  - ✓ Filter operation with parameters and/or operating data exceeding the specification.
  - ✓ Operating the filter at a location with ignition risk due to source of ignition in the vicinity of the pump.
  - ✓ Use or operation of the filter by private users.
  - ✓ Filter modification or conversion.
  - ✓ Non-compliance with the specified maintenance intervals.
  - ✓ The regulator may not be used in Zone 0 gas or dust explosion hazardous areas or in explosion hazardous areas unless the operator has taken measures in accordance with the requirements of Directive 1999/92/EC and the applicable national regulations on explosion protection.
  - ✓ First commissioning without checking the area and the pump through a person qualified for that purpose.
  - ✓ The use of products chemically incompatible with the materials used for the construction of the filter: the operator of the filter must control the chemical compatibility of the products conveyed.
  - ✓ The use of products whose characteristics (e.g. ignition temperature) are not compatible with the filter identification.
  - ✓ Operating the filter with bypassed safety devices is prohibited.
-



---

## 2.2 Description of the main elements of the system

### Airspray Low Pressure Filter



#### Expected use

- ✓ Easy to use and maintain, thanks to a simple design.

#### Performance

- ✓ Simple and robust filter.
- ✓ Several screen sizes available.

---

#### Productivity

- ✓ Possibility to use a large range of materials with a viscosity up to 2 000 mPas thanks to large outlets.
- ✓ Compatible with a wide range of products.
- ✓ Less waste during flushing to prevent material loss.

#### Sustainability

- ✓ Easy operation and maintenance due to its simple and optimized design.
  - ✓ The use of high quality materials improves abrasion resistance and reduces friction.
-

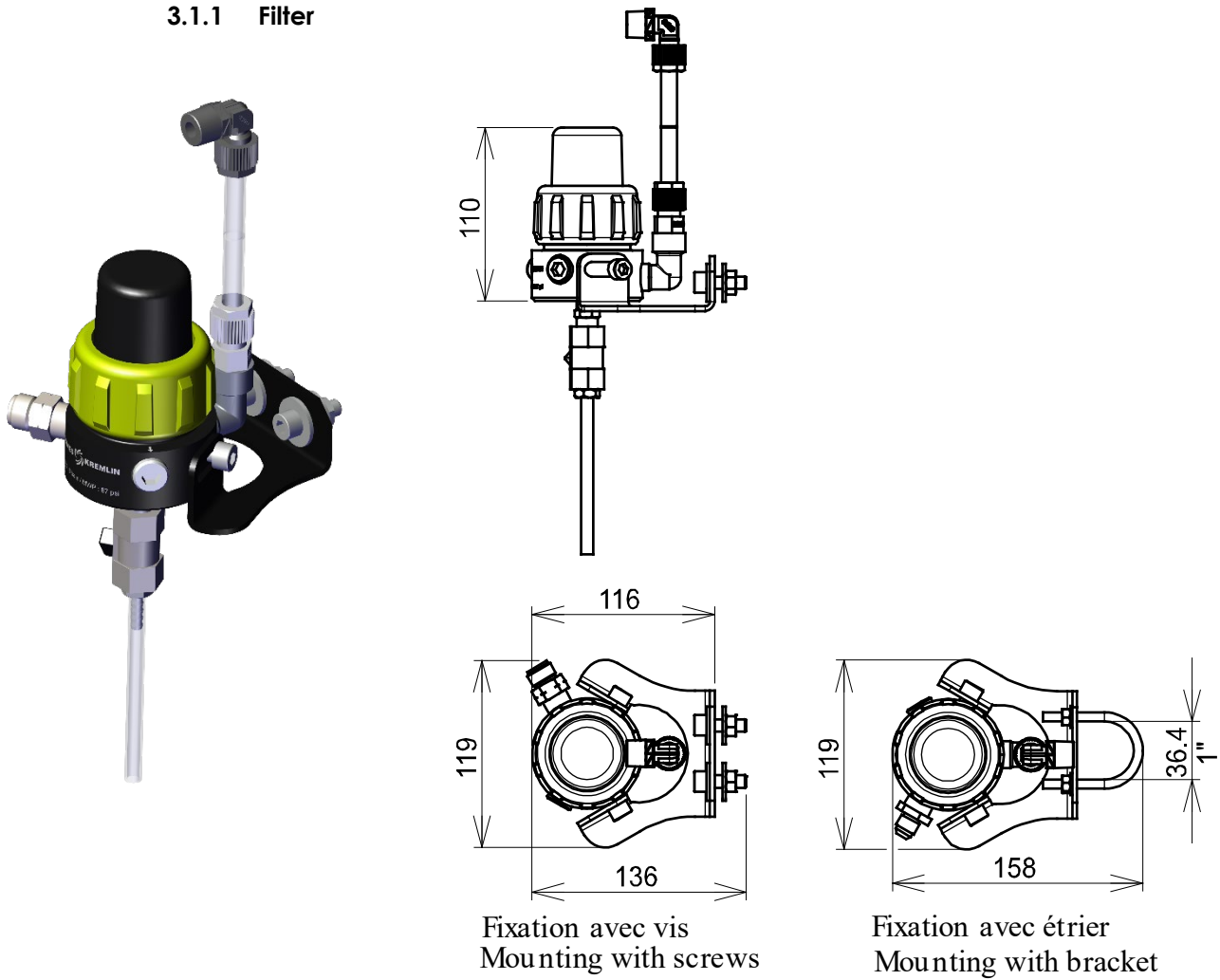
---

## 3 Identification of the equipment

---

### 3.1 Equipment plans

#### 3.1.1 Filter



---

### 3.2 Composition

The filter is available in:

- ✓ Screw mounting,
  - ✓ Mounting with bracket.
-

## 4 Technical features and performances

### 4.1 Technical features

#### Airspray low pressure filter

<b>Product inlet connection</b>	PA 8/10 hose
<b>Product outlet connection x2</b>	M 3/8"NPS + (for 2nd outlet F RP 3/8)
<b>Angle mounting by screw</b>	2 screws CHc M 8 x 25
<b>Bracket fixing by clamp</b>	U-bolt 1"
<b>Product pressure</b>	6 bar / 87 psi max
<b>Materials in contact with the product</b>	Aluminium (body) Stainless steel (screen) PP 30% fiberglass (tank) FEP (seal)
<b>Drain</b>	6/8 PA
<b>Weight bare filter</b>	690 g / 24.3 oz

---

## 5 Installation



### WARNING

**Personnel are in danger due to improper installation.**

- 
- ✓ Use fittings of a material compatible with the fluid and the pump material.
  - ✓ Mount the filter on the wall bracket provided for this purpose in such a way as to exclude shocks that could cause ignition.
  - ✓ **The filter must never be submerged.**

---

### Connections subsets

- ✓ Install the filter on the provided bracket using the fixing screws or the bracket.
- ✓ Make sure the filter is in a stable position.
- ✓ Do not immerse the filter in the pumped liquid.
- ✓ Make sure that the connections are compatible with the liquid being transported.

---

### 5.1 Transport

If possible, only transport the filter in its original packaging to avoid transport damage.

---

### 5.2 Check the scope of delivery

- ✓ Remove the transport packaging of the filter.
  - ✓ Comply with the rules in force in your locality.
  - ✓ Examine the filter for any transport damage.
    - Transport damage must be immediately communicated to the transport company and **SAMES KREMLIN** in writing.
    - Protect the filter from further damage.
  - ✓ Use the packing slip to verify the completeness of the delivery.
-

### 5.3 Recommendation materials



**WARNING**

**Trained personnel with PPE mandatory.**



- ✓ Do not use the filter as a support for the pipework system.
- ✓ When moving the filter, make sure that it cannot fall down.
- ✓ Never move the filter by pulling on the hoses: risk of damaging the pump and/or the hoses.
- ✓ Ensure that the system components are properly supported to prevent an overload on the filter parts.
- ✓ Ensure that regulations relating to the protective earthing system are observed.
- ✓ **No electrical connection is required, apart from the earth grounding. The pump is self-priming.**

### 5.4 Storage

Place the equipment away from moisture after closing the various air inlets and various openings (plugs).

- ✓ The filter should only be stored in a safe place if it has been thoroughly cleaned beforehand.
- ✓ Extreme storage conditions accelerate the ageing process.
- ✓ We recommend a storage temperature between +10°C / 50°F and +25°C / 77°F.
- ✓ Exclude the effect of ozone or ionising radiation.

### 5.5 Handling

No slinging foreseen for the filter due to its weight (690 g / 24.3 oz). The filter must therefore be handled by hand.

---

## 6 Start up



### WARNING

Please refer to [§ 1 Safety Instructions](#) for more information.

---

### 6.1 Commissioning instructions

- ✓ During operation, make sure that the filter is always completely filled with product.
- ✓ Ensure that the pumped fluid outlet is not obstructed or sealed during operation.
- ✓ The material being conveyed may react with the filter material. Before pumping the material to be conveyed, check that the filter materials are suitable for the material.
- ✓ The special operating conditions of the controller must be taken into account and observed.
- ✓ Make sure that the first commissioning of the filter in the installation area is carried out by an authorized person.



---

### ATTENTION

**Risk of destruction and bursting of the filter due to excessive fluid pressure.**

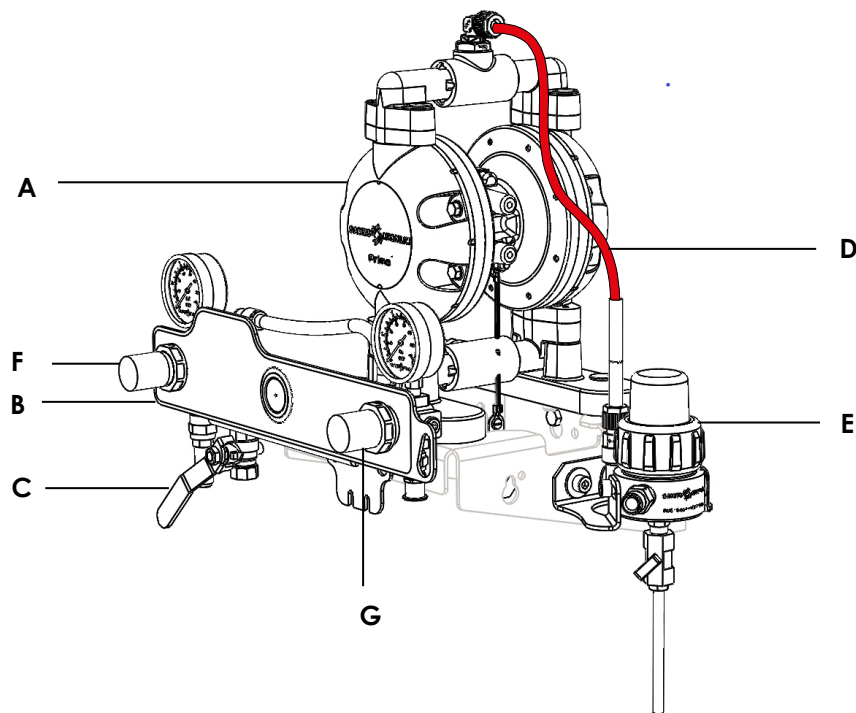
---

## 6.2 User settings



**NOTA**

The start-up below mentions the materials you will need to purchase (air equipment, pump, etc.) to operate the filter.



Visual with PRIMA™ 01D100 pump fitted with a 2 regulators and filter

Ind	Description
A	Pump
B	Plate
C	Air shut-off valve
D	Product Hose
E	Filter
F	PUMP AIR regulator
G	GUN SPRAYING AIR regulator

Before starting up, connect the pump to the ground.

Then:

- ✓ Interconnect the plate (B) with the air pressure network (clean dry air, maximum air pressure = 6 bar / 87 psi).
  - ✓ Connect the material hose as well as the spray gun.
  - ✓ Open the purge valve of the filter and direct the purge hose into the container where the suction rod is located
  - ✓ Supply the pump motor with air (P \* 1 bar / 14.5 psi).
  - ✓ Gradually screw in the pump air regulator (F) until the pump starts to beat.
  - ✓ When material flows out regularly, close the filter purge valve. The pump is bled.
  - ✓ Aim the gun (without spray head) into the container and pull the trigger.
  - ✓ Install an aircap on the spray gun if 2 regulators with atomization).
  - ✓ Supply air pressure to the spray gun (G).
  - ✓ Adjust the pump air regulator to get the appropriate material pressure and flow rate.
  - ✓ Gradually open air regulator (G) to adjust spraying air to obtain the required spray pattern.
-



---

## 7 Diagnostic help / Troubleshooting guide

### Troubleshooting

Before any intervention on a filter, it is imperative to carry out a general procedure of decompression and drain.

- ✓ Lock the guns (valve, tap, etc.) to OFF.
- ✓ Turn off the air supply through the valve on the plate.
- ✓ Unlock the gun (valve, tap ...).
- ✓ Bring the gun (valve, tap ...) to a metal bucket to collect the fluid. Hold it against the wall of this bucket to avoid interrupting the continuity of the earthing (use the wire with stirrup to put the metal bucket to earth).
- ✓ Open the gun (valve, tap) to drain the network.
- ✓ Lock the gun (valve, tap) to OFF.

Check the conformity of the wiring before intervention.

Purge the filter before replacing components.

---

### 7.1 Possible symptoms of faults / Causes of faults / Remedies to apply - fast operation



#### WARNING

Before any intervention, it is imperative to follow the [decompression procedure](#) and the [safety instructions](#).

- ✓ Depressurize the fluid network by opening the drain valve of the pump or of the gun.
- 

For the filter to work properly, it is necessary to clean the filter element regularly to avoid clogging.

---

## 8 Maintenance



### WARNING

Please refer to the preventive maintenance plan in [§ 10 Appendices](#) for more information.

---

### 8.1 Qualification levels - foreseeable interventions

As the pump is easy to disassemble, this type of intervention can be carried out by an authorized technician of average qualification, on site, with portable tools (wrench, screwdriver,...) defined by the maintenance instructions and the disassembly/reassembly procedures.

Wear personal protective equipment (PPE).

---

### 8.2 Safety instructions - Preventive maintenance



### ATTENTION

Please refer to [§ 1 Safety Instructions](#) for more information.

Before any intervention, it is imperative to follow the [decompression procedure](#).

---

Keep the filter in a clean condition to ensure proper operation.

The filter is wear-resistant, except for seals and screen.

Therefore, we recommend a regular inspection of the filter.

Nevertheless, in case of failure or decrease in flow capacity, you can perform the following tasks:

- ✓ Replace the seals,
  - ✓ Replace the screen.
-

---

### 8.3 Maintenance periods

It is recommended to schedule a systematic maintenance after a certain number of operating hours.

This is defined by the user's maintenance department and depends on the product, the work rate and the usual pressure.

This maintenance consists in replacing the parts presenting cuts or wears and in cleaning the organs with compatible products without using abrasive materials likely to deteriorate them.

Take note of the [disassembly/reassembly](#) of the controller and the [spare parts](#).

---

### 8.4 Cleaning

It is recommended to clean the filter with compatible products without using abrasive materials that could damage them.

Particular attention should be paid to the seals. If these cannot be cleaned, they must be replaced.

---

---

## 8.5 Disassembly / Reassembly



### ATTENTION

Before any intervention, it is imperative to follow the [decompression procedure](#) and the [safety instructions](#).

---

### Preliminary operations

- ✓ Remove air cap from the spray gun and put it into solvent.
  - ✓ Remove suction rod from the material container and immerse it in a solvent filled container. Take all the appropriate precautions in the presence of flammable solvents.
  - ✓ Point the spray gun towards the material container and press the gun trigger. When the solvent flows out, point the spray gun into a recovery container.
  - ✓ When the solvent flows out clear and clean, release the gun
- 

#### 8.5.1 Replacing the screen (3)

---

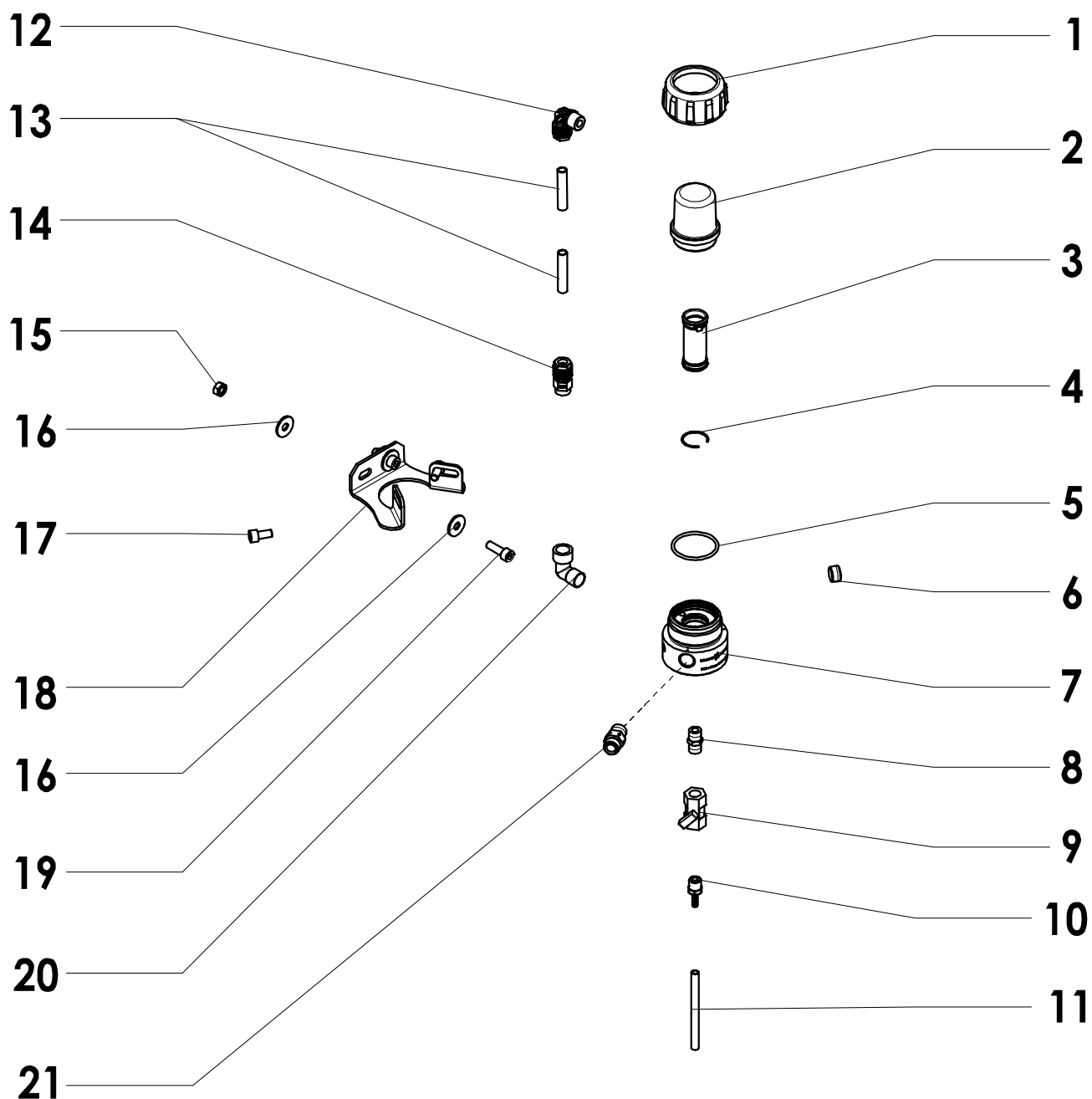
**Time required**

**1 minute 50**

- 
- ✓ Unscrew the nut (1) manually,
  - ✓ Manually remove the bowl (2),
  - ✓ Manually remove the screen (3),
  - ✓ Clean or replace the screen (3),
  - ✓ Replace the seal (5).
-

## 9 Spare parts

Use only genuine **SAMES KREMLIN** accessories and spare parts designed to withstand the operating pressures of the pump.



## 9.1 Wear part numbers

Ind	#Référence	Désignation	Qté	Niveau**
1	155 610 085	Nut	1	3
2	155 610 084	Filter tank	1	3
3	000 160 106	Filter screen n°6	1	1
4*	055 190 007	Stop ring	1	1
5	909 420 520	FEP seal	1	1
6	906 333 104	Plug	1	3
7	055 581 602	Filter base	1	3
8	551 218	Steel fitting MM 1/4" G	1	3
9	903 090 806	F.1/4" G valve	1	2
10	105 030 207	1/4" barbed fitting	1	3
11	155 581 684	Rilsan hose	1	1
12	905 190 415	Elbow 3/8" G x tube 8x10	1	3
13*	155 581 683	Rilsan hose	1	1
14	905 190 418	Fitting	1	3
15	953 010 019	Nut HM 8	2	3
16	88 733	Washer	4	3
17	88 150	ScrewCHc 8x16 CL 8.8	2	3
18	155 581 618	Support bracket	1	3
19	88 152	Screw CHc 8x25 CL 8.8	2	3
20	552 432	Elbow MF 3/8"	1	1
21	050 102 648	Fitting MM 3/8" BSP 3/8" NPS	1	3

\*\*Level 0 : Parts are not spare parts.

Level 1 : Preventive maintenance.

Level 2 : Corrective maintenance.

Level 3 : Exceptional maintenance.

## 9.2 Options

---

Ind	# Part numbers	Description	Qty	Level**
-	000 160 104	Filter screen n°4	1	1
<b>18*</b>	<b>000 160 106</b>	<b>Filter screen n°6</b>	<b>1</b>	<b>1</b>
-	000 160 108	Filter screen n°8	1	1
-	000 160 112	Filter screen n°12	1	1

---

---

## **10 Appendices**

### **10.1 Appendix A Preventive Maintenance Plan**

---